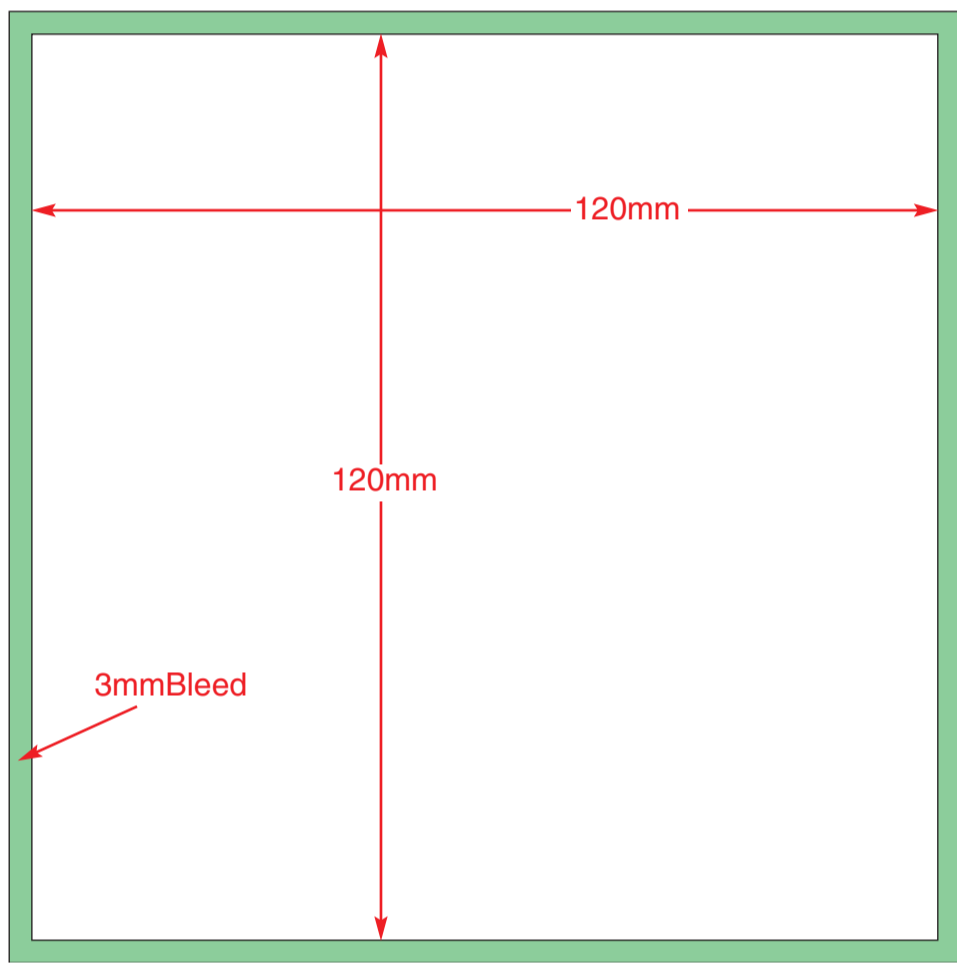
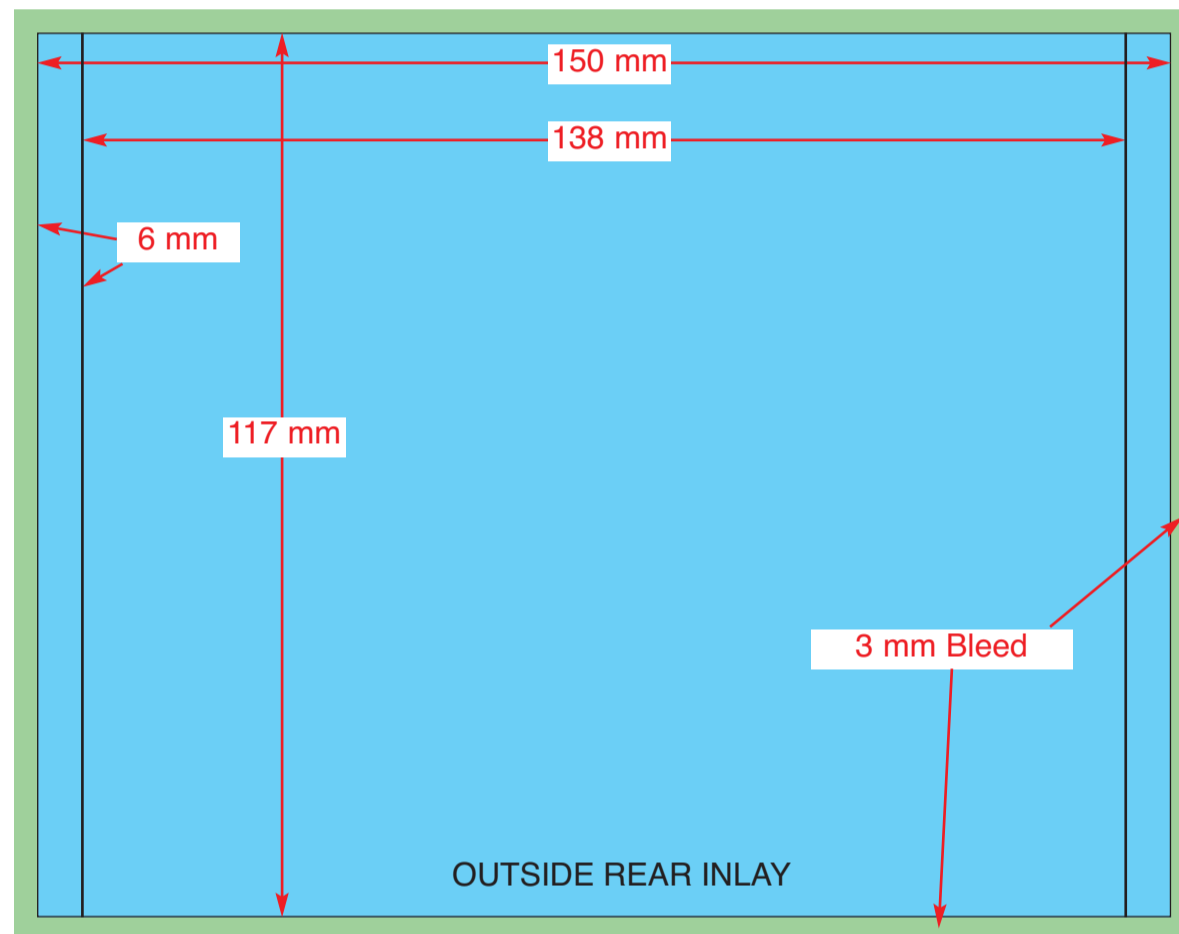


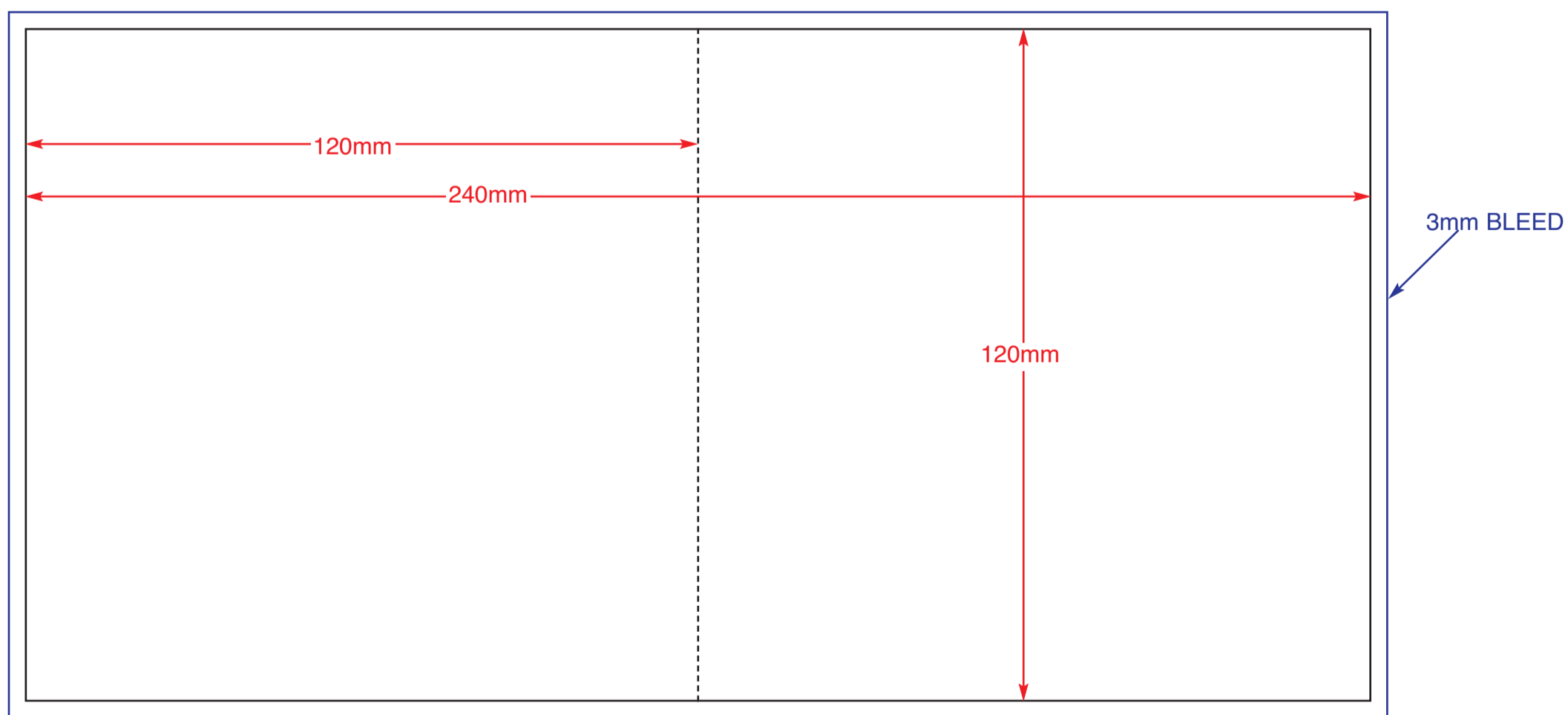
6 page



2 page



tray



This is the layout for a 4pg, 8pg, 12pg, 16pg etc. It is to be set up as printers pages.
i.e. For a 4pg book there would be 2 pages set up as: 4/1, 2/3,

4 page